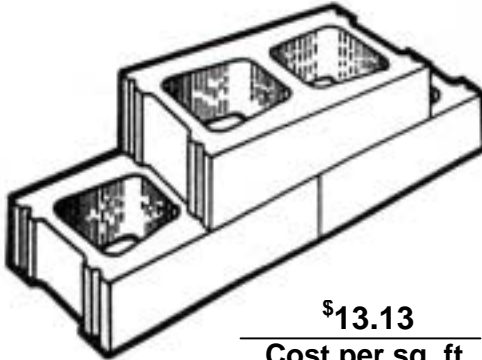




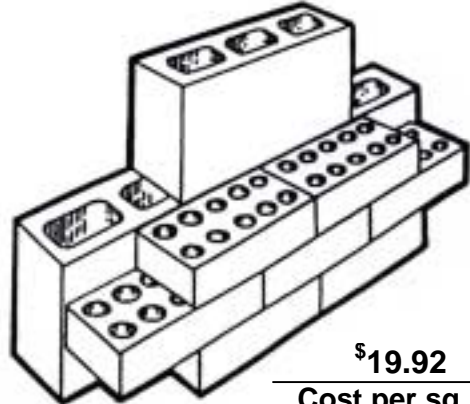
Comparative Wall Cost Data

8X4X16 Custom Color



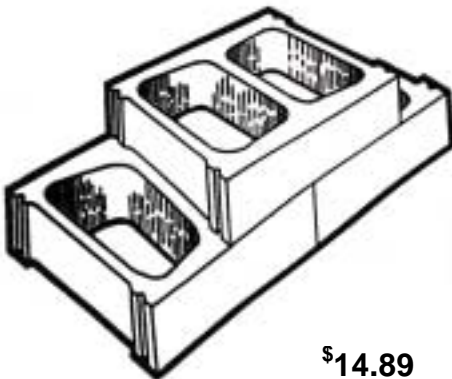
\$13.13
Cost per sq. ft.

4" Brick and 4" Hollow Block



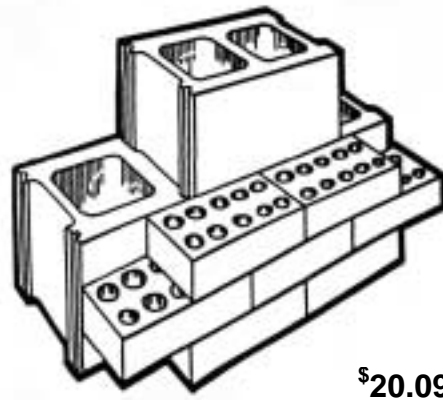
\$19.92
Cost per sq. ft.

12X4X16 Custom Color



\$14.89
Cost per sq. ft.

4" Brick and 8" Hollow Block



\$20.09
Cost per sq. ft.

Assumptions: The square foot costs represented here are based upon:

- local labor cost of October 1, 2000.
- local material cost of October 1, 2000.
- local unit masonry costs as shown.

Resource: Northeast Ohio 2001 Masonry Wall Cost Guide published by the Mason Contractors Association of Akron and Vicinity.

For additional information please contact the
Quik-Brik Sales Office, toll-free, at 1-877-506-2745